

European Solar and Energy Storage Solutions

24 solar bracket installation diagram



Overview

How do I set up a 24V Solar System?

Setting up a fully functioning 24V solar system requires these key components: 340-500W polycrystalline or monocrystalline panels in 24V or 48V nominal voltage ratings. Number of panels depends on your power needs. Wire in series to reach desired system voltage.

How does a 24 volt Solar System work?

A 24 volt solar system uses multiple solar panels wired in series to produce a higher DC voltage output around 24V. This 24V DC electricity is stored in batteries and converted by inverters to power 24V appliances and equipment. Installing a solar power system can be a confusing process, especially when dealing with higher 24V systems.

How do I connect a 12V solar panel to a 24V Solar System?

This can be done either by using 24V solar panels and connecting them in parallel (since this leaves voltage alone) or by connecting sets of two 12V solar panels in series (since this will double the voltage to 24V) and everything else in parallel.

How many volts does a solar panel have?

PV panels and batteries are available in the range of 12-23-36V etc. The most common is the 12V system. Obviously, the series connection is less common for solar panel and batteries installation as the system will only increase the level of voltage (from 12VDC to 24VDC) which is only applicable in a 24V inverter system.

How long does it take to install a solar racking system?

SolarTown offers all the necessary clamps or cap strips to support your installation. The installation of your solar energy system for your home is going to take 1 or 2 days and you will enjoy solar energy for 25 years or more.

But you need to put in the time to design your system, and the solar racking is a critical component of your system.

How to connect solar panels in series?

For example, wiring two 12V solar panels in series produces 24V, three 12V panels produce 36V, and so on. 24V panels can also be combined to hit the target system voltage. Follow these steps to connect solar panels in series: Use MC4 branch connector cables or 10-12 AWG copper wire to link the panels. Prepare weather-proof connections.

24 solar bracket installation diagram



Solar Racking Made Simple: What You Need to Know ...

One critical component of your solar energy system is the solar racking, otherwise known as solar panel mounts. The solar rack is the hardware under the solar module that secures the panel to a surface (roof, ground, pole) in the panel ...

Solar Wiring Diagrams for DIY Campers, Vans & RVs

These solar wiring diagrams are a complete A-Z solution for a DIY camper electrical build. This page is an index of ALL of the DIY solar wiring diagrams for campers, vans & RVs you can find here on EXPLORIST.life.



Solar Panel Wiring Diagram for All Setups [+ PDFs] - ...

In our guide, we unpack how to wire solar panels and provide diagrams illustrating solar schematic examples for every solar setup, from residential to RV to camper van. You'll be ready to power up your home or get ...



600 Watt Solar Panel Wiring Diagram & Kit List

The diagrams also exclude wiring a power

inverter - it sits on the load side of the battery.
 The first 2 diagrams below show a 600 watt solar panel wiring diagram wired in parallel and series with 3 x 200w panel ...

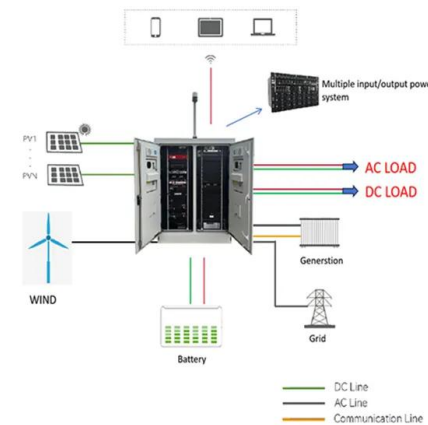


A Visual Guide to Off Grid Solar , Simplest Possible ...

If you are getting started with an off grid solar system, this is the simplest complete diagram that available to learn how to connect your own off grid solar system. In the following sections, I'll cover what the parts of the system are, ...

Quick Installation Guide North America MAN-01-00025-3

Safety Switch bracket Safety Switch for single phase inverter 3 -7.6 kW . a mounting bracket. 5. Install the mounting bracket on the wall with the flat side of the bracket is at the bottom. 6. ...

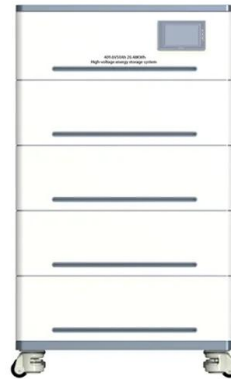


200 Watt Solar Panel Wiring Diagram & Kit List

The 200 watt solar panel wiring diagram assumes 2 x 100w panels are being fitted. If you happen to be fitting 1 x 200w panel instead, see our 100 watt solar panel wiring diagram. We've included 2 diagrams below. The ...

A Full Guide to Photovoltaic Array Design and ...

A solar resource assessment is an evaluation of the solar energy available at a specific site to determine its suitability for a solar installation. This assessment includes analyzing various factors, such as solar radiation ...



Install Installation Instructions 1 ProteaBracket

To ensure brackets are installed in a straight line, install a single ProteaBracket on each end of the roof at a measured, consistent distance from the bottom edge of the roof. Use a string line ...

INSTRUCTION, INSTALLATION & WARRANTY MANUAL

e. solar system types
4 f. features of kwikot solar flat plate collector panel
6 g. features of the kwikot solar vacuum tubes
7 h. roof location of a solar system
7 i. installation of a solar water ...



Contact Us

For catalog requests, pricing, or partnerships, please visit:
<https://ssab-proiect.eu>