

European Solar and Energy Storage Solutions

Benin industrial grade battery



Overview

What are industrial grade Li-ion rechargeable batteries?

Industrial grade Li-ion rechargeable cells lend themselves to all sorts of energy harvesting applications that are emerging. Table 1. Comparison of consumer versus industrial Li-ion rechargeable batteries. Source: Tadiran Batteries.

What are industrial batteries?

Industrial Batteries Industrial batteries are designed to last much longer and are deployed in extreme environments and remote locations that are difficult to access for battery replacement.

How long do industrial grade Li-ion batteries last?

Industrial grade rechargeable Li-ion batteries are now available that can operate for up to 20 years and 5,000 recharge cycles versus consumer Li-ion batteries that operate for just five 5 years and 500 recharge cycles. Industrial grade Li-ion rechargeable cells lend themselves to all sorts of energy harvesting applications that are emerging.

What are industrial grade batteries?

Industrial grade applications demand more rugged and reliable batteries that can survive long-term deployments in highly-challenging industrial environments, often in places where battery access is difficult or impossible.

What types of batteries are used in consumer products?

Consumer products such as phones, cameras, computers and watches mainly operate on consumer-grade alkaline, primary lithium, and lithium-ion (Li-ion) rechargeable batteries. While inexpensive and readily available, these batteries are often not well adapted to the fast-growing industrial internet of things (IIoT).

Why is Tadiran a good battery manufacturer?

Tadiran has spent decades refining its battery chemistries and developing proprietary manufacturing processes to help minimize energy losses due to self-discharge. Temperature range: The operating temperature range of a battery is primarily the result of the battery's chemical make-up.

Benin industrial grade battery



AIMS POWER BATBOX12 Industrial Grade Battery Cabinet, Fits ...

AIMS Power BATBOX12 Industrial Grade Battery Cabinet, Fits up to 12 Batteries; Powdered Coated; Digital Volt and Amp Display; 3 Shelves, Measuring 41.5"H x 25"D x 11.5"W; Heavy Duty Caster Wheels This heavy duty, industrial battery enclosure is built to store up to 4 8D batteries or a mix and match of batteries and inverter. It comes with a battery ...

Principales industries au Bénin

L'indice de liberté économique du Bénin s'élève à 61,0, ce qui le place au 81e rang du classement 2022. L'économie du pays dépend dans une large mesure d'une agriculture de subsistance, du commerce régional et de la production de coton. Ce dernier secteur, qui représente près de 40 % du PIB et 80 %...

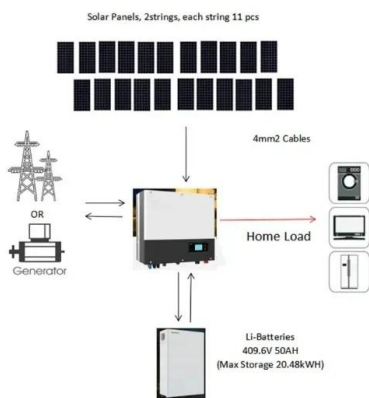


150AH SMF Battery in Benin 2024

Whether it's powering essential equipment in industrial settings, supporting critical infrastructure in telecommunication networks, or providing backup energy for residential applications, the 150 SMF battery consistently exceeds expectations, earning the trust of customers nationwide.

GAOTek Industrial Grade Battery Charger

This Industrial Grade Battery Charger has 415 V AC input voltage current, 10 Amp charger current capacity and 8.0 Amp boost charging current. A Global Top 10 B2B Tech Supplier Based in New York & Toronto - 4 Decades of Innovation. 1-877-585-9555. sales@gaotek . 1-877-585-9555. sales@gaotek .



10-Port Industrial-Grade USB 3.0 Hub, 20 kV ESD, Metal , Eaton

Rugged industrial-grade hub adds 10 USB 3.0 ports to your computer for connecting industrial printers, sensors and other USB devices. Adds barcode scanner, serial device, sensor--up to 10 devices--to your host computer UPS Battery Backup SMART1500LCD Smart LCD 1500VA 900W 120V Line-Interactive UPS - 8 Outlets, USB, DB9, 2U Rack/Tower

Power Tools: Industrial-Grade Cordless & Air Tools

For more than 100 years, professionals have relied on Ingersoll Rand for quality and performance on the toughest jobs. Our advanced engineering and manufacturing have a standard of excellence often copied, but never matched. When it comes to assembly tools, industrial tools, cordless tools and vehicle service tools, don't settle for less.



Battery grade lithium hydroxide introduction and comparison



7-Port Industrial-Grade USB 3.0 Hub, DIN Mount , Eaton

Rugged industrial-grade hub adds 7 USB 3.0 ports to your computer for connecting industrial printers, sensors and other USB devices. Adds barcode scanner, serial device, sensor--up to 7 devices--to your host computer UPS Battery Backup SMART1500LCDT SmartPro 1500VA 900W 120V Line-Interactive Sine Wave UPS - 8 Outlets, LCD, USB, Tower. USB

Introduction of battery grade lithium hydroxide. (industrial grade/battery grade) and lithium chloride. The production of lithium hydroxide requires causticization on the basis of lithium carbonate products. But in the future, if electrolysis, bipolar membrane and other processes become mature, it will help Salt Lake to achieve one step and



Industrial Batteries

Industrial grade rechargeable Li-ion batteries are now available that can operate for up to 20 years and 5,000 recharge cycles versus consumer Li-ion batteries that operate for just five 5 years and 500 recharge cycles. Industrial grade Li-ion rechargeable cells lend themselves to all sorts of energy harvesting applications that are emerging.

Understanding the Differences Between Consumer and ...

Industrial grade rechargeable Li-ion batteries are now available that can operate for up to 20 years and 5,000 recharge cycles versus consumer Li-ion batteries that operate for just five 5 years

and 500 recharge cycles. ...



To Strive forward No Energy Waste



- ✓ All in one
- ✓ 100~215kWh High-capacity
- ✓ Intelligent Integration

A Complete Guide to Best Tubular Battery in Benin 2024

Some of the top Lento tubular batteries available in Benin include: Lento Tubular Battery 100Ah: This battery offers high capacity and reliable performance, making it a great choice for home and industrial use. Lento Tubular Battery 150Ah: With even higher capacity, this battery is ideal for those with higher power needs or larger machinery.

Understanding the Differences Between Consumer and Industrial ...

Industrial grade rechargeable Li-ion batteries are now available that can operate for up to 20 years and 5,000 recharge cycles versus consumer Li-ion batteries that operate for just five 5 years and 500 recharge cycles. Industrial grade Li-ion rechargeable cells lend themselves to all sorts of energy harvesting applications that are emerging.



What is an Industrial Battery: Definition, Types, Components

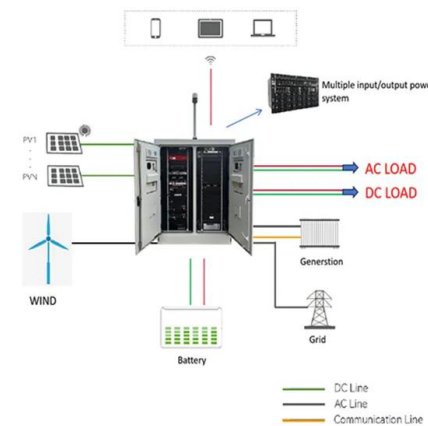
Charging an industrial battery correctly involves



using the right industrial battery charger and following specific guidelines to ensure safety and extend the battery's life. It's important to charge at the correct voltage and current settings as specified by the manufacturer to avoid overcharging or undercharging, which can damage the battery.

Industrial Batteries

Industrial batteries are designed to last much longer and are deployed in extreme environments and remote locations that are difficult to access for battery replacement. Examples include industrial grade lithium primary batteries used to monitor structural stress on bridges, underwater seismic measurements, or scientific instruments in arctic



Battery Cabinet - Industrial Grade - Fits up to 12 ...

Industrial grade carbon steel - heavy duty Powdered coated Digital Volt and Amp display Fits up to 12 - 8D batteries OR 10 batteries and an inverter 3 shelves - each shelf measuring 41 1/2"W x 25"D x 11 1/2"H Heavy duty caster wheels ...

Comparing Consumer And Industrial Batteries For Wireless ...

Conversely, a superior grade bobbin-type LiSOCI2 battery can feature an annual self-discharge rate as low as 0.7% per year, thus permitting certain wireless devices to operate for

up to 40 years on a single battery. Demand for industrial grade batteries will accelerate as billions of wireless devices become integrated into the burgeoning



 LFP 280Ah C&I

Process intensification for the synthesis and purification of battery

Although industrial-grade Li_2CO_3 can be purified and crystallized several times to increase its purity, a low Li_2CO_3 recovery of less than 75% is usually obtained, since Li_2CO_3 is slightly soluble in water (Liu, Zhao, et al., 2021). Therefore, one-step synthesis of battery-grade Li_2CO_3 has attracted extensive attention. Na_2CO_3 has been commonly used as a ...

Contact Us

For catalog requests, pricing, or partnerships, please visit:
<https://ssab-proiect.eu>