

European Solar and Energy Storage Solutions

Energy storage container assembly solution



Overview

What is containerized energy storage system?

s— 01 The Containerized Energy Storage System is built for easy maintenance for increased safety. What is containerized ESS?

ABB's containerized energy storage system is a complete, self-contained battery solution for large-scale marine energy storage. The batteries and all control, interface, and auxiliary.

How can a containerized energy storage solution be manufactured in Taiwan?

Manufacturing and assembling containerized energy storage solutions in Taiwan through the utilization of automated laser welding systems, in compliance with ISO standards.

What is a containerized maritime energy storage solution?

ABB's containerized maritime energy storage solution is a complete, fireproof self-contained battery solution for a large-scale marine energy storage.

What is a battery energy storage system (BESS) container?

This includes features such as fire suppression systems and weatherproofing, ensuring that the stored energy is safe and secure. Battery Energy Storage System (BESS) containers are a cost-effective and modular solution for storing and managing energy generated from renewable sources.

Is Eaton xStorage a containerized energy storage system?

Containerized energy storage system. All-in-one container. Eaton xStorage is now available in a containerized version. This all-in-one, ready-to-use solution is the perfect choice for energy storage.

Does ABB offer a containerized energy storage system?

ABB's Containerized Energy Storage System is suitable for a wide variety of shipsabb.com/marine—We reserve the right to make technical changes or modify the contents of this document without prior notice. With regard to purchase orders, the agreed particulars shall prevail. ABB AG does not accept

Energy storage container assembly solution



Containerized Maritime Energy Storage , ABB Marine & Ports

ABB's containerized energy storage solution is a complete, self-contained battery solution for a large-scale marine energy storage. The batteries and all control, interface, and auxiliary ...

CATL EnerC+ 306 4MWH Battery Energy Storage System Container ...

The EnerC+ Energy Storage product is capable of various on-grid applications, such as frequency regulation, voltage support, arbitrage, peak shaving and valley filling, and demand response ...



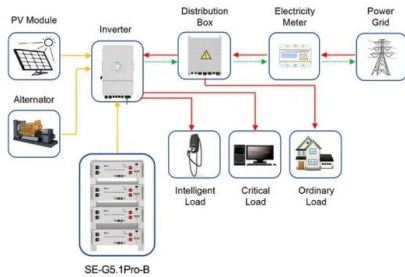
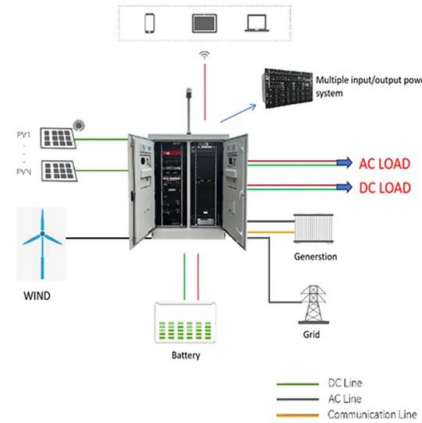
MintEnergy - Graphene Storage Solutions

MORE STORAGE. The small size stores more charge with its high energy density. 5 times the energy storage of the closest competitor. Mint's solution eliminates range anxiety. **MORE USEABLE.** Less loss between charges. ...

Products|Energy Storage Systems|Billion Electric

Energy Storage System Design planning,

installation and commissioning, and operation and maintenance. Billion provides cluster characteristic analysis of battery cells, welding and assembling of battery modules, battery pack and ...



Application scenarios of energy storage battery products

ABB containerized energy storage offers plug-in ...

ABB has responded to rapidly rising demand for low and zero emissions from ships by developing Containerized ESS - a complete, plug-in solution to install sustainable marine energy storage at scale, housed in a 20ft high-cube ISO ...

Intensium® Energy Storage Systems , Soft , Batteries to energize ...

Battery building blocks. The Intensium ® ranges are standardized to deliver a consistent and holistic design that scales up to multi-megawatt systems and are ready to plug and play. They ...



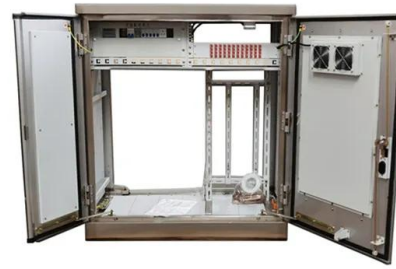
Intensium® Energy Storage Systems , Soft , Batteries to ...

Battery building blocks. The Intensium ® ranges are standardized to deliver a consistent and holistic design that scales up to multi-megawatt systems and are ready to plug and play. They deliver: Full container assembly and testing in ...



Eaton xStorage Container Containerized energy storage system

xStorage Container enables commercial and industrial buildings facility managers and operators to store energy from renewable sources or the grid to improve the building resiliency and ...

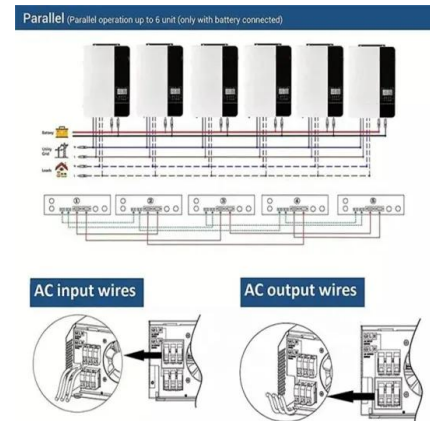


commercial 500kwh, 1mwh, 2mwh battery energy storage systems

Solutions; Forklift Battery; Battery Assembly; Technology; News; Contact; As a kind of mobile generator set equipment, an energy storage container can be used in power construction, ...

Battery Energy Storage Systems (BESS): The 2024 UK Guide

By definition, a Battery Energy Storage Systems (BESS) is a type of energy storage solution, a collection of large batteries within a container, that can store and discharge electrical energy ...



Contact Us

For catalog requests, pricing, or partnerships, please visit:
<https://ssab-proiect.eu>