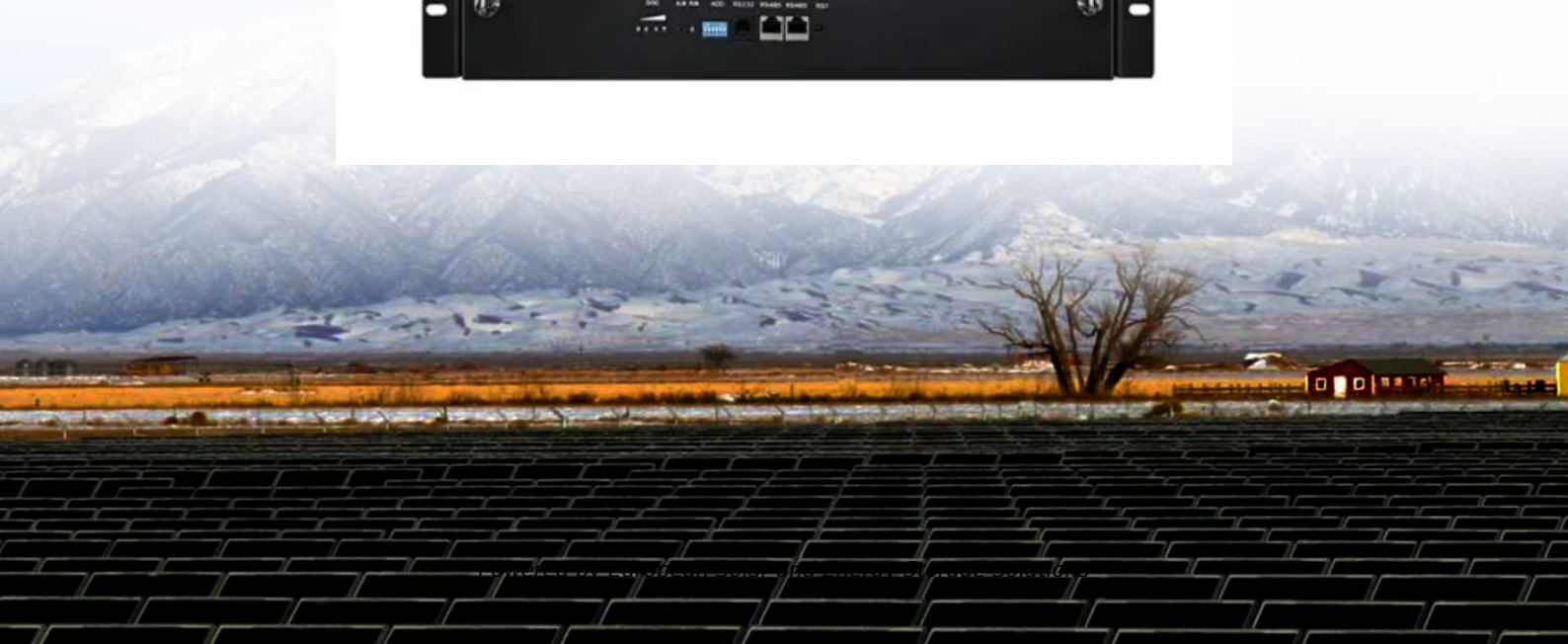


European Solar and Energy Storage Solutions

How to handle the forced unloading of photovoltaic panels

5 Years
warranty



Overview

Top Tips for Unpacking, Handling and Storing LONGi Modules. If your modules are damaged on arrival, notify the driver immediately, notify carrier and LONGi staff within 24 hours of delivery, and provide a record with detailed information within 48 hours of delivery. See claims and warranties for full details.

Top Tips for Unpacking, Handling and Storing LONGi Modules. If your modules are damaged on arrival, notify the driver immediately, notify carrier and LONGi staff within 24 hours of delivery, and provide a record with detailed information within 48 hours of delivery. See claims and warranties for full details.

To ensure the safety of loading, unloading, unpacking and storage of PV modules, please read this manual carefully. When you need to unpack and install the modules, you can search.

Admittedly, module shipping, unpacking, handling and storing are not the sexiest topics — most of the industry's attention goes to the installation process and related best practices — but for EPC site teams and other logistical partners, proper handling is essential.

UNLOADING, UNPACKING & STORAGE • At receipt of PV modules, verify the product details as it had been ordered. Packing list pasted outside the box contains all details including the serial no of modules. • It is recommended to unload the packing box by using forklift only.

Cut off the whole packing belt of the pallet, and use a forklift to separate the two pallet modules. When each of the modules is taken out in turn, lift up the EVA card slot on the top to ensure that the remaining modules are still in a fixed state, and then take out all modules in turn. How to unload & store PV modules?

UNLOADING, UNPACKING & STORAGE At receipt of PV modules, verify the product details as it had been ordered. Packing list pasted outside the box contains all details including the serial no of modules. It is recommended to

unload the packing box by using forklift only.

How to unpack PV modules?

Unpacking of PV modules should always be done in the vertical manner by two persons as shown in the diagram. Also care should be taken for falling over one module to the other inside the packing box. Modules should be stored in a dry and ventilated environment to avoid direct sunlight and moisture.

Do PV modules require cleaning?

Although PV modules are typically maintenance-free for long periods, they may still need to be cleaned due to contaminants like dirt, pollen or dust, or obstructions like shade on the modules themselves. These issues can cause reduced output for the PV system. The PV system is used to operate electrical loads, so any problems with the loads will affect the PV system as well.

Can you walk on a LONGi Solar PV module?

DO NOT stand or walk on PV modules. Prior to beginning installation, review the Installation Manual for LONGi Solar PV Modules. Do not carry a module alone; always use two people to lift and carry. Do not drill holes in the frame of the module.

What should I do if a PV module is damaged?

DO unstack the pallets immediately if the pallet or packaging is compromised, wet or damaged. DO use stable, self-standing structures or devices, or other pallets for support. DO NOT unpack the module pallets from a wet, soft or inclined area. DO NOT use sharp, unstable structures for support. DO NOT stand or walk on PV modules.

Can PV modules be wired in series?

Modules can be wired in series to increase voltage. Connect positive terminal of one module to the negative terminal of the next module. PV modules only with the same rating should be used in series and parallel connections. Connect modules in parallel to increase current.

How to handle the forced unloading of photovoltaic panels

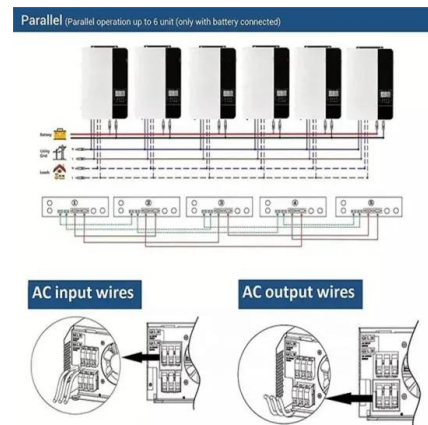


Solar PV Module Handling, Storage, Installation

UNLOADING, UNPACKING & STORAGE
 At receipt of PV modules, verify the product details as it had been ordered. Packing list pasted outside the box contains all details including the serial ...

Offloading SWP

This document provides a safe work procedure for offloading, loading, and dispatching solar PV panels with a telehandler. It outlines responsibilities and definitions. The procedure specifies that a take 5 risk assessment and job ...



Solar panel wiring basics: How to wire solar panels

Key electrical terms for solar panel wiring. In order to understand the rules of solar panel wiring, it is necessary to understand a few key electrical terms -- particularly voltage, current, and ...

Solar Panels Buying Advice

Solar panel system sizes are normally expressed in kilowatt peaks (kWp), which is the maximum output of the system. Household solar panel

systems are typically up to 4kWp. We spoke to more than 2,000 solar panel owners about ...



The solar PV system troubleshooting checklist

Solar system troubleshooting typically focuses on four parts of the system: PV panels, loads, inverters and combiner boxes. Here is a checklist for locating and addressing common problems in those areas.

10 structural solar mounting problems to avoid, ...

Even under just the dead weight of the pv panels, it forms a "bow" with a close to 9-12 mm deflection at the center. Photo: PV Diagnostics. 4. Inappropriate tightening of clamps and nuts and bolts at cross bracing V ...



Best practices for handling, unpacking and storing ...

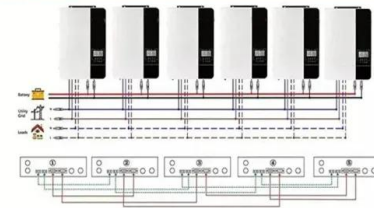
Admittedly, module shipping, unpacking, handling and storing are not the sexiest topics -- most of the industry's attention goes to the installation process and related best practices -- but for EPC site teams and other ...

PV Solar Cell Manufacturing Process & Equipment Explained

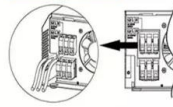
It ensures that each solar panel is not only robust and efficient but also reliable over its operational lifespan. Innovations and Future Trends in PV Cell Manufacturing. The landscape ...



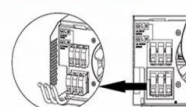
Parallel (Parallel operation up to 6 unit (only with battery connected))



AC input wires



AC output wires



A Guide to Solar Inverters: How They Work & How to Choose Them

The first part is the power optimizer, which handles DC to DC and optimizes or conditions the solar panel's power. There is one power optimizer per solar panel, and they keep the flow of ...

Loading, Banding, and Unloading PV Modules with ...

This short video explains best practices for loading, banding, and unloading solar modules with your PVpallet Series X. Note that banding is always necessary to properly secure your PV modules



Contact Us

For catalog requests, pricing, or partnerships, please visit:
<https://ssab-proiect.eu>