

European Solar and Energy Storage Solutions

Kosovo price solar panel



Overview

Explore Kosovo solar panel manufacturing landscape through detailed market analysis, production statistics, and industry insights. Comprehensive data on capacity, costs, and growth. The average wholesale electricity price in Kosovo is approximately \$0.091 per kWh. 3. Water Costs. The average cost of industrial water per cubic meter in .

Explore Kosovo solar panel manufacturing landscape through detailed market analysis, production statistics, and industry insights. Comprehensive data on capacity, costs, and growth. The average wholesale electricity price in Kosovo is approximately \$0.091 per kWh. 3. Water Costs. The average cost of industrial water per cubic meter in .

Unisolar L.L.C. is the exclusive representative of the company AE SOLAR GMBH, for photovoltaic panels in the Republic of Kosovo and Albania. This made us proud as a company, motivating us to achieving the highest possible successes in the field of renewable energy.

Unisolar L.L.C. është përfaqësues ekskluziv i kompanisë AE SOLAR GMBH, për panelet fotovoltaike në Republikën e Kosovës dhe të Shqipërisë. Kjo, na bënë krenar neve si kompani, duke n'a motivuar për arritjet e sukseseve sa më të larta në fushën e energjisë së ripërtrishme.

Jaha Solar është lider në sektorin e energjisë diellore dhe inovacionit në vendin tonë. Jaha Solar prodhon panele diellore fotovoltaike me performancë të lartë dhe cilësi të lartë sipas standardeve të prodhimit IEC dhe ISO.

The total installed solar PV capacity in Kosovo is currently estimated at 6.6 MW. In addition, there are a further 3.4 MW of solar PV projects under construction, and 60 MW of projects with preliminaryDoes Kosovo have solar power?

Kosovo has the potential of capturing solar energy directly and converting it to electricity. The region of highest solar potential based on global horizontal irradiation is the southeastern part of Kosovo, centred around the city of Gjakova. Solar power is already used on the roofs of some buildings.

Will Kosovo use solar energy for district heating?

In late December 2022, Kosovo became the first country in the Western Balkans Economy to use solar energy for district heating. Kosovo's Minister of Finance, Labour and Transfers, Hekuran Murati, said the project would ensure access to the central heating system for about 38,000 citizens.

Why is electricity expensive in Kosovo?

Usually, in Kosovo the imported energy is much more expensive than export. This is because Kosovo imports energy one day before needed, in the other hand energy is exported during the night when the demands are under generating level. Imports and exports have a negative impact for electrical energy price.

How Unisolar is developing our country?

Here you can see how we are developing our country, with the tireless work of our team. Unisolar LLC, was founded in January 2021, by electrical energy engineers and the renewed one: Mr. Bujar Guci in Kosovo. Unisolar LLC was founded seeing the need for a serious company, which would be closer to the customers in the field of renewable energy.

Kosovo price solar panel



Unisolar , Panele solare Kosovë , Sisteme solare Kosovë , Energji e

Unisolar L.L.C. është përfaqësues ekskluziv i kompanisë AE SOLAR GMBH, për panelet fotovoltaike në Republikën e Kosovës dhe të Shqipërisë. Kjo, na bënë krenar neve si kompani, ...

Kosovo: EIB accelerates green transition with EUR33 million for new solar ...

To support the green transition in Kosovo*, the European Investment Bank (EIB) has signed a EUR33 million investment loan for the construction one of its largest solar photovoltaic plants near Pristina - with a capacity of up to 100 MWac (120MWp). By increasing the share and capacity of solar energy in power generation, the project will contribute to energy supply ...



Kosovo Solar Panel Manufacturing Report , Market Analysis and ...

Explore Kosovo solar panel manufacturing landscape through detailed market analysis, production statistics, and industry insights. Comprehensive data on capacity, costs, and growth. The average wholesale electricity price in Kosovo is approximately \$0.091 per kWh. 3. Water Costs. The average cost of industrial water per cubic meter in

Unisolar , Panele solare Kosovë , Sisteme solare Kosovë , Energji e

Unisolar LLC, është themeluar në Janar të vitit 2021, nga një inxhinier i energjisë elektrike dhe të asaj së ripërtrishme: z. Bujar Guci në Kosovë. Unisolar LLC u themelua duke parë nevojën për një kompani serioze, e cila do të ishte më pranë klientëve në fushën e energjisë të ripërtrirshme. Në një kohë të shkurtur kompania Unisolar L.L.C. u bë lidere në fushën e



NAVIGATING SOLAR INVESTMENT CHALLENGES IN KOSOVO ...

19 Extended payback period and low electricity prices
 19 Modest support schemes
 21 Lack of education and training opportunities due to the long lifespan of solar panels, low maintenance cost, but also current state of solar energy in Kosovo while focusing on challenges and opportunities.
 8 FOUNDATION The European Union (EU) is set on a

Kosovo* could add 900 MW of solar by 2030, 250 MW for self-consumption

Based on an analysis of policy documents, and interviews with installation firms and developers, it is estimated that Kosovo* could install 250 MW of solar capacity for self-consumption by the end of 2030, and based on the prices of previously installed projects, that could translate into EUR 300 million in investment, Lorik Haxhiu said at the



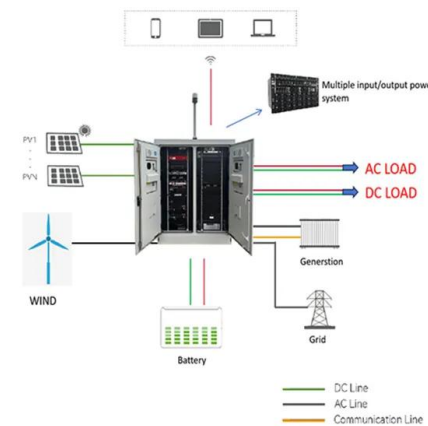


First photovoltaic power plant for Kosovo , KfW ...

This is the first large-scale photovoltaic system in Kosovo that can increase the installed capacity of photovoltaic energy from the current 10.1 MW (2022) to up to 110.1 MW. The project contributes to the achievement of these following ...

Kosovo* could add 900 MW of solar by 2030, 250 MW ...

Based on an analysis of policy documents, and interviews with installation firms and developers, it is estimated that Kosovo* could install 250 MW of solar capacity for self-consumption by the end of 2030, and based on ...



 LFP 48V 100Ah

Unisolar , Panele solare Kosovë , Sisteme solare Kosovë , Energji e

Unisolar L.L.C. është përfaqësues ekskluziv i kompanisë AE SOLAR GMBH, për panelet fotovoltaike në Republikën e Kosovës dhe të Shqipërisë. Kjo, na bënë krenar neve si kompani, duke n'a motivuar për arritjet e sukseseve sa më të larta në fushën e energjisë së ripërtrishme.

Kosovo* eases requirements for rooftop solar panels ...

Minister of Environment, Spatial Planning and Infrastructure of Kosovo* Liburn Aliu announced that households aren't required anymore to obtain a construction permit for rooftop solar panels. The decision was ...



JAHA Solar

Jaha Solar manufactures high performance and high quality photovoltaic solar panels according to IEC and ISO production standards. Our quality and certified products have opened the possibility to export photovoltaic panels to countries in the region and beyond.



Solar Panel Cost in 2024: How to Estimate The Cost of Solar , Solar...

Today's premium monocrystalline solar panels typically cost between \$1 and \$1.50 per Watt, putting the price of a single 400-watt solar panel between \$400 and \$600, depending on how you buy it. Less efficient polycrystalline panels are typically cheaper at \$0.75 per watt, putting the price of a 400-watt panel at \$300.



JAHA Solar

Jaha Solar është lider në sektorin e energjisë diellore dhe inovacionit në vendin tonë. Jaha Solar prodhon panele diellore fotovoltaike me performancë të lartë dhe cilësi të lartë sipas standardeve të prodhimit IEC dhe ISO.



Unisolar , PANELE SOLARE KOSOVË , SISTEME SOLARE KOSOVË , ENERGIJE

Unisolar L.L.C. is the exclusive representative of the company AE SOLAR GMBH, for photovoltaic panels in the Republic of Kosovo and Albania. This made us proud as a company, motivating us to achieving the highest possible successes in the field of renewable energy.

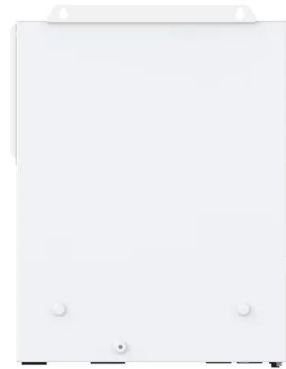


Kosovo* eases requirements for rooftop solar panels for ...

Minister of Environment, Spatial Planning and Infrastructure of Kosovo* Liburn Aliu announced that households aren't required anymore to obtain a construction permit for rooftop solar panels. The decision was adopted less than a month after the Energy Regulatory Office (ERO) of Kosovo* approved a new prosumer mechanism.

Panelet solare

Since Kosovo's energy production relies heavily on coal for its energy production, the significance of incorporating insulated solar panels as a crucial component of the energy diversification strategy cannot be overstated. Below you can find the ...



Solar Panel Prices in South Africa 2024 , Cost Of Installing

On average, solar panel installation costs between R70,000 for a modest home to R350,000 for a larger home. These figures encompass the expenses related to equipment, labor, and other installation costs. Solar Panel Prices by Brand. When considering solar panels, it's essential to explore the different brands available in the market.



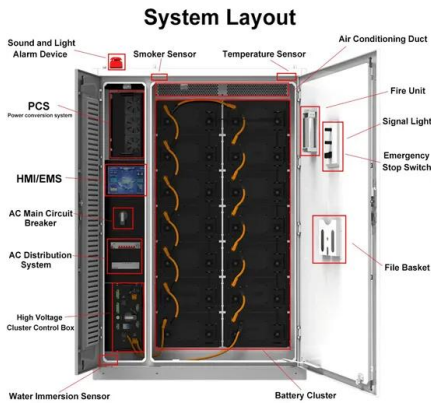
Kosovo Hails Solar Energy Project as Potential Game Changer

Through solar heating over a territory of 69,000 square meters, where the solar collectors will be located, a seasonal reservoir of thermal energy storage, about 410,000 cubic meters of water, will also be built," he said. Prime Minister Albin Kurti said it will be one of the largest solar power plants in Europe.



Kosovo Solar Panel Manufacturing Report , Market Analysis and ...

Explore Kosovo solar panel manufacturing



landscape through detailed market analysis, production statistics, and industry insights. Comprehensive data on capacity, costs, and growth. The average wholesale electricity price in Kosovo is approximately \$0.091 per kWh. 3. Water ...

First photovoltaic power plant for Kosovo , KfW Development Bank

This is the first large-scale photovoltaic system in Kosovo that can increase the installed capacity of photovoltaic energy from the current 10.1 MW (2022) to up to 110.1 MW. The project contributes to the achievement of these following United Nations Sustainable Development Goals:



Unisolar , Solarni paneli Makedonija , Solarni sistemi ...

Unisolar e kompanija koja se zanimava so proektiran`e i instaliran`e na razlicni vidovi fotovoltaični sistemi. Nashata kompanija e ekskluziven zastapnik na germanskata kompanijata za proizvodstvo na solarni paneli

Contact Us

For catalog requests, pricing, or partnerships, please visit:
<https://ssab-proiect.eu>