

European Solar and Energy Storage Solutions

Smart power system scarl Cyprus

BMS Wiring Diagram



Smart power system scarl Cyprus



EMPOWER Project: Empowering the Cyprus power system with

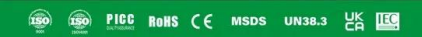
This project aims to develop new tools and technologies specifically suited for the Cyprus power system in order to further enhance its stability and reliability, even in the presence of a very high penetration of renewable energy sources. Currently, the electric power system of Cyprus faces specific challenges due to its islanded nature.

Household Photovoltaic Systems in Cyprus , Green ...

Every household in Cyprus can now generate, store and use its own electricity. Through Net Metering Photovoltaic System you can produce and exploit your own electricity at home, with the help of an autonomous Photovoltaic system.



114KWh ESS



Household Photovoltaic Systems in Cyprus , Green Energy Group

Every household in Cyprus can now generate, store and use its own electricity. Through Net Metering Photovoltaic System you can produce and exploit your own electricity at home, with the help of an autonomous Photovoltaic system.

Smart Power Systems

Smart Power Systems , 781 followers on LinkedIn. Revolutionising the integration of energy at home, in industry, in vehicles and in the community , Based in the East Midlands, we are a British company serving clients all around the world. We operate from our factory in Market Harborough where our team combine our deep engineering foundations with commercial and project ...

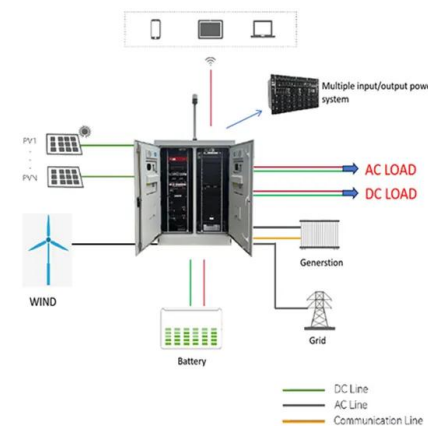


A.C. MODULAR GENERATOR SYSTEM

system at wattages above the system's rating will void the system's warranty. Disengage the system immediately if a hydraulic fluid leak is detected. Operation of the A.C. modular generator system with low fluid level will result in permanent damage to the hydraulic components in the system and will void the system's warranty.

Making sun-blessed Cyprus a solar energy leader

In an attempt to make Cyprus more energy self-sufficient, the EU-funded TwinPV initiative focuses on bolstering the country's technological know-how through the sharing of expertise on the entire solar energy cycle - from cells and modules ...



Empowering the Cyprus power system with sustainable ...

Specifically, the KIOS research team developed a sophisticated control tool for energy storage systems to enable the cost-effective operation of the power system, while improving its stability

and integrity under high ...



Smart Power Systems and Smart Grids

1.1 Review of the concepts of digital power systems; 1.2 Definition of smart power system.
 1.2.1 Smart power systems and smart wide-area robots; 1.2.2 SEMS and smart power systems in China; 1.3 The value of SPS construction. 1.3.1 Improvement of disaster prevention capability; 1.3.2 Economic operation indices and power quality improvement



Smart Power Systems

Smart Power Systems MarleneDeLorme
 2024-11-15T08:25:41+00:00. Smart Power Systems. by BRANSON HOLDINGS. UPS Inverter MSPG range. Request a quote. MSPG-500 (600 watt hour) Lithium ion UPS/Inverter; MSPG-1000 (1200Watt Hour) Lithium Ion UPS/Inverter;

Research & Development - Graded

Collaborating in most of the projects as a proactive partner of districts such as Smart Power System Scarl, Atena Scarl, Stress Scarl and Mar.Te. scarl, Graded increases the resources dedicated to research and

development in the energy ...



WindPro Wireless Wind Monitor System

The Scarlet Wind Pro cloud-based web hub supports unlimited data storage of 24/7 wind conditions and auto report generation. Multiple users can acquire synchronized live wind data from individual smart device at the same time regardless where they are through this smart system. By using Scarlet Wind Pro, users are no more restricted to monitor wind on site in ...

Research & Development - Graded

Collaborating in most of the projects as a proactive partner of districts such as Smart Power System Scarl, Atena Scarl, Stress Scarl and Mar.Te. scarl, Graded increases the resources dedicated to research and development in the energy sector and contributes to the creation of a network of transport and distribution of energy integrated with



Empowering the Cyprus power system with sustainable and

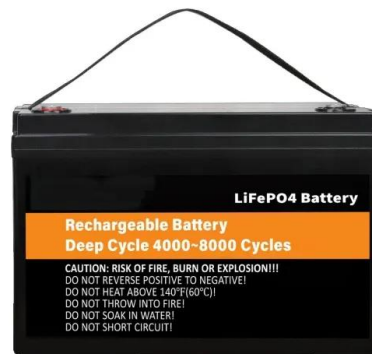
Specifically, the KIOS research team developed a sophisticated control tool for energy storage



systems to enable the cost-effective operation of the power system, while improving its stability and integrity under high penetration of renewables.

Smart power system

Smart power system - Harnessing distributed energy resources Hour-to-hour adjustments required in power systems due to variability in demand, wind and solar PV, in the Stated Policies Scenario European Union ?? United States ?? China ?? India ??



Smart Solar Cyprus

Our mission is to equip Cyprus with the most advanced, efficient, and reliable solar installations - powering your homes, businesses, and communities with the clean energy of the future, today. We're committed to innovation that matters. ? With Smart Solar Cyprus, you gain access to the latest in solar power advancements, ensuring you're

Smart Solar Cyprus

Elevate your home with Smart Solar Cyprus and start seeing returns on your investment in as little as three years. Harness the abundant Cyprus sun and let it work for you, cutting costs and supporting the environment. Our efficient solar solutions mean quick savings and lasting benefits.



SmartPower PH - Innovative, effective, practical and cost-efficient

SmartPower Solutions Corporation has been providing energy consulting services since 2012 but was formally established in April 2014 by a group of engineering professionals who are specialists in the power industry with vast experience and knowledge in providing energy solutions to ...

HR Series Generator Guaranteed in all of kW sizes

Available in 6.2kW, 8kW, 10kW, 15kW, 20kW, and 25kW power systems. Specifically designed for mounting on the top of truck. One-piece generator tray assembly includes integrated hydraulic fluid reservoir. Tray assembly designed for easy separation of components for custom installations. Power system includes heavy-duty piston pump.

114KWh ESS



Smart Power Systems and Smart Grids

The book systematically introduces smart power system design and its infrastructure, platform

To Strive forward No Energy Waste

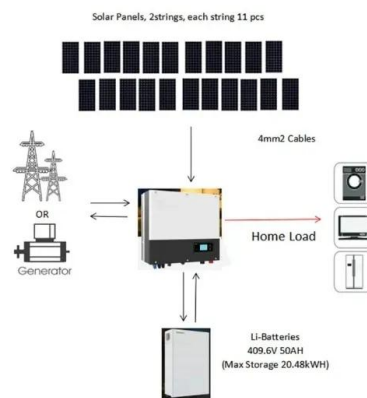


- ✓ All in one
- ✓ 100-215kWh High-capacity
- ✓ Intelligent Integration

Cyprus Security Alarm Systems , Power Supply , Smart Homes

G. Solonos Hi-Tech Solutions is Cyprus's leading home and commercial technology integrator. We specialise in the design, installation and maintenance of state-of-the-art high-tech home and commercial security and safety solutions, photovoltaic systems, video door phones, smart home systems, gate automation and other technological solutions to enhance safety and smart living.

and operating standards. It focuses on multi-objective optimization and illustrates where the intelligence of the system lies. With abundant project data, this book is a practical guideline for engineers and researchers in electrical engineering, as well as power ...



Smart Solar Cyprus

Elevate your home with Smart Solar Cyprus and start seeing returns on your investment in as little as three years. Harness the abundant Cyprus sun and let it work for you, cutting costs and supporting the environment. Our efficient solar ...

Intelligent Renewable Energy Distribution , Smart ...

From day one, it was clear that Smart Power Systems got the brief. We worked with them through every phase, bringing on board numerous technical authorities in Alaska. SPS's

contribution will make a huge difference ...



Making sun-blessed Cyprus a solar energy leader

In an attempt to make Cyprus more energy self-sufficient, the EU-funded TwinPV initiative focuses on bolstering the country's technological know-how through the sharing of expertise on the entire solar energy cycle - from cells and modules to storage and smart electricity grids.

Smart Power System Distretto ad Alta Tecnologia in Campania

Smart Power System - High Technology Cluster promotes competitiveness of scientific and technology knowledge about use and integration, in energy transmission system, of advanced technologies to generate power and storage energy in a distributed manner according to the Smart Grid paradigm



EMPOWER Project: Empowering the Cyprus power

...

This project aims to develop new tools and technologies specifically suited for the Cyprus power system in order to further enhance its stability and reliability, even in the presence of a

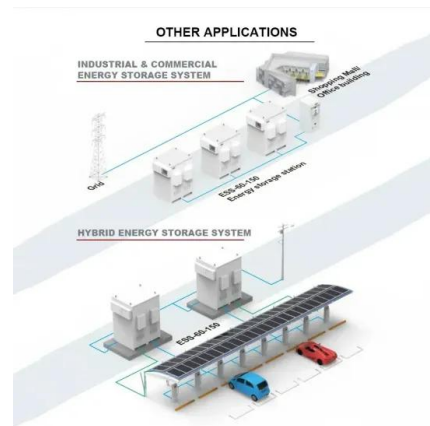
ESS



very high penetration of ...

Landis+Gyr to Provide Solutions for Cyprus' Smart Meter Roll-Out

- August 23, 2024 - Landis+Gyr, a leading provider of energy management solutions, will provide in excess of 400,000 residential E360 and E450 smart meters along with its leading GridStream head end system software solution to unlock the full potential of smart grid technology and support Cyprus on its energy efficiency journey.



EMPOWER: Strengthening Cyprus' power system with ...

The EMPOWER project aims to contribute to the strengthening of the Cyprus electricity system, using smart tools and systems without affecting the stability and reliability of the system. Behind the project, the ambitious goal ...

Contact Us

For catalog requests, pricing, or partnerships, please visit:
<https://ssab-proiect.eu>