

European Solar and Energy Storage Solutions

Syria outdoor lithium battery storage



Syria outdoor lithium battery storage



Lithium Battery Storage

Securall Acid/Corrosive Storage Cabinets; Outdoor Weatherproof Flammable Cabinets; Flammable Drum Storage Cabinets; LPG Gas Cylinder Locker Cabinets . Lithium Ion Battery Charging Cabinet Justrite's lithium-ion battery charging and storage cabinet, fortified with ChargeGuard(TM) for ultimate protection. This state-of-the-art cabinet features

Syria Lithium-ion Battery Energy Storage Systems Market (2024 ...

Syria Lithium-ion Battery Energy Storage Systems Market is expected to grow during 2023-2029 Syria Lithium-ion Battery Energy Storage Systems Market (2024-2030) , Analysis, Growth, Competitive Landscape, Outlook, Value, Companies, Forecast, Industry, Trends, Size & Revenue, Segmentation, Share



Outdoor Integrated Energy Storage System

NPP's Outdoor Integrated Energy Storage System, a cutting-edge solution that seamlessly combines lithium iron phosphate batteries, advanced Battery Management System (BMS), Power Conversion System (PCS), Energy ...

Can Solar Batteries Be

Installed Outside: Key Tips For Safe And

2 ???· Unlock the potential of solar energy with our comprehensive guide on outdoor solar battery installation! Discover the benefits of reliable energy storage, cost savings, and enhanced efficiency. We delve into crucial factors such as weather resistance, ventilation, and safety measures, while exploring battery types and maintenance tips. Make informed decisions to ...



syria s energy storage low-temperature lithium battery bidding

Lithium metal batteries (LMBs), which use Li metal as anode rather than graphite, are expected to push the baseline energy density of low-temperature devices at the cell level. Excellent Rate ...

LITHIUM-ION BATTERY ENERGY STORAGE SYSTEMS

Breakers; Data sheet 5-28, DC Battery Systems; and Data Sheet 5-32, Data Centers and Related Facilities. 1.1 Changes July 2023. Interim revision. The following major changes were made: A. Changed title to "Lithium-Ion Battery Energy Storage Systems." B. Revised separation distance recommendations for indoor and outdoor LIB-ESS.



How to Store Lithium Batteries: Ultimate Guide

Enough ventilation is inevitable to ensure a lithium battery's safe operation and storage.



When storing your lithium battery in a closed space like a storage shed or a garage, ensure proper airflow is maintained. On the other hand, if outdoor storage is inevitable, store your lithium batteries in insulated, waterproof enclosures. This

L3 Series Limitless Lithium(TM) Battery Energy Storage System

Indoor & Outdoor Scalable Design: The modular and flexible design allows for easy expansion as energy needs grow, ranging from 40kWh up to 9.6MWh. The Sol-Ark® L3 Series Lithium(TM) battery energy storage system (BESS) offers scalability, reliability, and energy resilience essential for modern commercial and industrial operations.



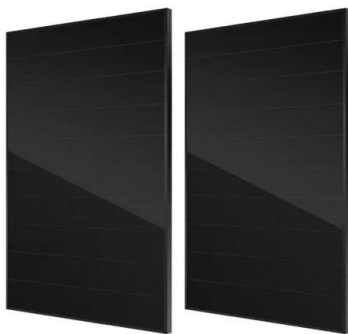
Storage of Lithium-Ion and Lithium Metal Batteries

Outdoor storage areas for lithium-ion or lithium metal batteries, including storage beneath weather-protection in accordance with Section 414.6.1 of the California Building Code, shall not exceed 900 square feet (83.6 m²). The height of battery storage in such areas shall not exceed 10 feet (3048 mm).

Industrial Thundersky Winston 768V 550ah 400kwh Lithium Battery ...

IP56 protection for outdoor applications C5 anti-

corrosion, 20 years reliability Independent fire protection system Sta +8617763224709. Request A Quote. Search. X. Home; Products; About Us; News; Contact Us; Search. Home Products Energy Storage Solutions Industrial Thundersky Winston 768V 550ah 400kwh Lithium Battery Energy Storage Cabinet. All



syria s energy storage low-temperature lithium battery bidding

Lithium metal batteries (LMBs), which use Li metal as anode rather than graphite, are expected to push the baseline energy density of low-temperature devices at the cell level. Excellent Rate and Low Temperature Performance of Lithium-Ion Batteries based on Binder-Free Li ...

Lithium-Ion and Energy Storage Systems

A lithium-ion batteries are rechargeable batteries known to be lightweight, and long-lasting. They're often used to provide power to a variety of devices, including smartphones, laptops, e-bikes, e-cigarettes, power tools, toys, and cars, and now homes.



Outdoor Integrated Energy Storage System

Discover NPP's Outdoor Integrated Energy Storage System, a cutting-edge solution that seamlessly combines lithium iron phosphate batteries, advanced Battery Management

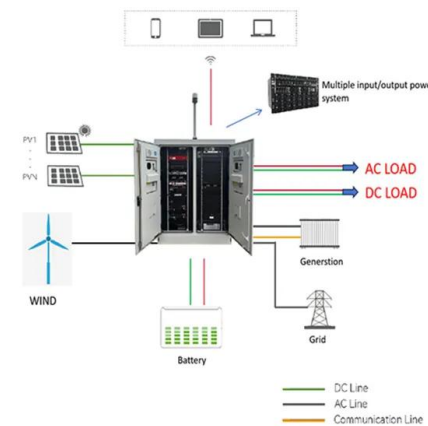


Deye inverters and Deye batteries are more compatible.

System (BMS), Power Conversion System (PCS), Energy Management System (EMS), HVAC technology, Fire Fighting System (FFS), distribution components, and more, all housed within ...

Outdoor Battery Enclosures

We supply various sizes of enclosures for holding batteries and associated electronics. Our most popular metal battery boxes are the NEMA 3R (rainproof), mill finish aluminum boxes, which can hold from a single battery up to 6, 8, or 10 if pad mounted. Many standard mill finish aluminum metal battery boxes are in stock, ready to ship.



Outdoor Integrated Energy Storage System

Discover NPP's Outdoor Integrated Energy Storage System, a cutting-edge solution that seamlessly combines lithium iron phosphate batteries, advanced Battery Management System (BMS), Power Conversion System (PCS), ...

Syria

MOTOMA Energy storage system, containing Solar panels, Inverters with lithium batteries, can Support the daily use machines and equipment's "Air conditioners, Refrigerators, Lights, Fans, Tv..." and it can upgrade it in the future, and add more inverters with same model for more power capacity or add more batteries with same model for



51.2V 150AH, 7.68KWH

100KW/215KWh All-in-One Outdoor Lithium Inverter Battery Energy Storage

The All-in-One liquid-cooled energy storage terminal adopts the design concept of 'ALL in one,' integrating high-security, long-life liquid-cooled batteries, modular liquid-cooled PCS, intelligent energy management system, battery management system, efficient liquid-cooled thermal management system, fire safety system, all within a single standardized outdoor cabinet.



Lithium Battery Storage

According to a blueprint report by the US Dept of Energy Federal Consortium for Advanced Batteries, the lithium battery market is predicted to grow by a factor of 5 to 10 by 2030. Because lithium-ion batteries can store large amounts of energy, fire and explosion risks are high. Special storage precautions protect workers and the environment. U



MOTOMA's Veatile Energy Storage System In Syria

2C~5C fast charging battery. Charge 70% capacity in very short time. Long cycle life. Good consistency, low self-discharge. None-memory li



poly battery. Excellent safe, environment-friendly. Battery Chemistry: Lithium Ion Polymer
Battery Terminations: PC ...

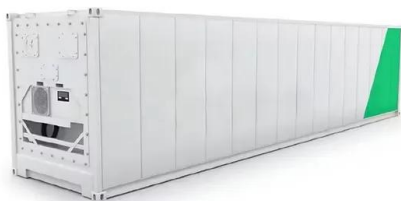
Keeping Solar Batteries Outside (The Dos and Don'ts)

The feasibility of outdoor installation depends on factors like battery type, climate, and, in some cases, local regulations. The type of solar battery you have or plan to use plays a significant role. Some batteries, such as lithium-ion, are more ...



A Guide To Safely Storing Lithium Batteries

Fortunately, lithium battery packs are highly durable, and you may only need to make a few changes for adequate long-term storage. Read on to become a battery-storage pro! Removing and Charging the Battery. One of the first questions to address with battery storage is whether you need to disconnect the battery from its larger power system.



Contact Us

For catalog requests, pricing, or partnerships, please visit:
<https://ssab-proiect.eu>