

## European Solar and Energy Storage Solutions

# Ukraine solar energy monitoring system



## Overview

---

Where can we find Ukraine 4km solar resource data?

Ukraine 4-km solar resource data, available on the RE Data Explorer platform. Illustration by Billy Roberts, NREL While U.S. technical support to Ukraine might not get the same level of attention as its defense support, these data sets are crucial for Ukrainians to envision and enact a clean energy transition for their country in a systemic way.

Does NREL have solar resource data for Ukraine?

With funding from USAID, NREL has recently published solar resource data for all of Ukraine.

Can a solar PV-plus-storage system improve resilience in Ukraine?

NREL is working with USAID, the Ministry of Energy of Ukraine, and the Ministry for Communities, Territories, and Infrastructure Development of Ukraine to design a microgrid pilot project that will demonstrate how a solar photovoltaic (PV)-plus-storage system could enhance resilience under the present conditions in Ukraine.

When will wind resource data be added to Ukraine?

Critically, wind resource data is anticipated to be added for Ukraine by early 2024. Ukraine 4-km solar resource data, available on the RE Data Explorer platform. Illustration by Billy Roberts, NREL.

How does USAID help Ukraine?

Through USAID, the United States works with Ukraine's government, energy private sector, and civil society to enhance Ukraine's energy security and transform Ukraine's energy sector into a modern, market-oriented, EU-integrated engine of growth.

Will Ukraine synchronize with the European Union?

This shift was a test that was part of plans already underway for months to desynchronize from the Russian grid and synchronize with the European Union's. After the initial invasion, Ukraine operated in island mode until March 16, 2022, when the country was finally able to synchronize its grid to Europe's.

## Ukraine solar energy monitoring system

---



### Renewable Energy of Ukraine: Monthly Monitoring

Renewable Energy of Ukraine: Monthly Monitoring April 13, 2021 European-Ukrainian Energy Agency. 2 <https://euea> solar stations are 45,3 MW, biomass - 21,7 MW and biogas 10, 4 MW. Small hydropower Energy System of Ukraine in March 2021. Electricity production at solar and wind power plants

### How Ukraine is evolving its energy system by building ...

For Zuiev, the digital twin - which the company hopes to expand regionally next year - is but one component of their plans to bolster the energy system with digitalisation. Another, is installation of smart meters. "We ...



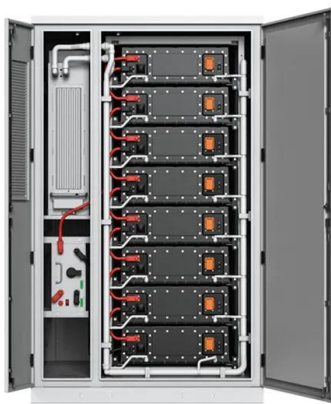
### An Essential Guide to Measuring and Monitoring Solar Power for

Measuring solar power isn't just a technical task--it's the key to unlocking the full potential of your solar energy system. By keeping track of a few vital statistics, you can ensure your system is performing at its best, catch any issues early, and make informed decisions to improve efficiency. Measuring and monitoring your solar

### Ukraine Fights To Build More

## Resilient, Renewable Energy System ...

The USAID-NREL Partnership's original goal in Ukraine was to: (1) provide technical support and data analysis for distribution systems siting and project investment decisions, and (2) help plan for bringing more wind and solar onto its nuclear-dominant system to meet Ukraine's decarbonization and energy independence targets and to align with



## Renewable Energy Sector (RES) in Ukraine

capacity of terrestrial solar power plants was 828,467 MW, facade solar power plants - 42,324 MW, the installed capacity of wind power plants remained unchanged. By the end of 2020, it is forecasted that 1.5 GW of wind energy, 5,5 GW of solar energy and 800 MW of small household SPPs will be built in the energy system.

## How to Monitor Your Solar Energy Management System

With the data at your fingertips, you can adjust your usage, clean your panels, or even decide it's time to expand your system. Key Features of a Good Solar Energy Monitoring System. First up, real-time data is a big deal. A good solar energy monitor doesn't make you wait until the end of the month to see your usage stats.



## Solar Power Monitoring Systems: What They Are and How ...

The solar energy production monitoring feature of a system will show you how much electricity



your solar panels in Australia are producing in kWh. It also records the total amount of power they have produced over time so that you can see their historical performance and compare it with previous readings to determine if there is any variation

## Ukraine's Decentralised Energy Future: IEA

3 ???· This roadmap from the IEA, Empowering Ukraine through a Decentralised Energy System, outlines a pathway to rebuild and modernise Ukraine's power sector amid ongoing attacks on its energy infrastructure. Urgent actions include deploying small gas turbines and DERs such as solar PV and batteries to address a projected 6 GW winter power



## Monitor your solar PV system with a smart WiFi ...

2. Install Wi-Fi energy meter in your solar PV system 2.1 Monitor only "From Grid" and "To Grid" energy in single phase system. You have a single-phase solar and grid system, and your intention is to measure the grid consumption as well as ...

## Best Solar Panel Monitoring Systems

CURB Monitoring System . CURB is a home energy monitoring system designed to empower solar energy consumers by providing them with greater control over their household energy usage. CURB collects real-time data on energy

consumption and production by directly plugging into the breaker panel.



## Solar monitoring

Once your own photovoltaic system is on the roof, it is important to ensure that it functions smoothly and performs optimally. With the Solar.web monitoring platform this is very easy. You are always up to date with your energy yield and consumption. You can save more money, because: You can make optimum use of your solar energy and need less expensive electricity from the ...

## Full article: Solar energy potential mapping in Ukraine

...

The methodology and findings presented facilitate the selection of optimal sites across Ukraine for installing solar power stations that will ensure maximum productivity. The approach developed can serve as a valuable tool for ...



 LFP 12V 200Ah

## MONITORING MONTHLY RENEWABLE ENERGY

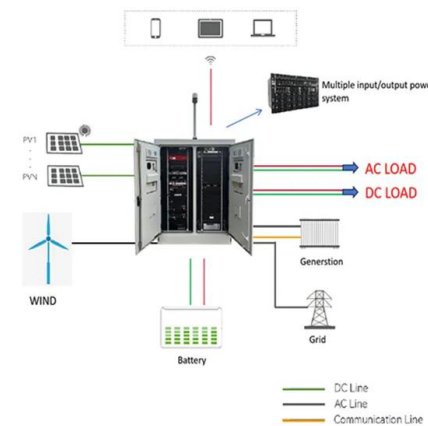
organization, business association has grown into an effective advocate for the realization of Ukraine's massive renewable energy and energy efficiency potential, by working within Ukraine's business community, government structures,

and with other key energy market stakeholders



## Rebuilding Ukraine with a Resilient, Carbon-Neutral Energy ...

Monitoring, Reporting and Verification. NACE: Nomenclature of Economic Activities (EU statistical classifier) Ukrainian Association of Solar Energy. UARE: Ukrainian Association of Renewable Energy. UN: United Nations. The analysis presented here focuses on a carbon-neutral scenario for the post-war restoration of Ukraine's energy system



## Ukraine Fights To Build More Resilient, Renewable ...

NREL is working with USAID, the Ministry of Energy of Ukraine, and the Ministry for Communities, Territories, and Infrastructure Development of Ukraine to design a microgrid pilot project that will demonstrate how a solar ...

## Full article: Solar energy potential mapping in Ukraine through

The methodology and findings presented facilitate the selection of optimal sites across

Ukraine for installing solar power stations that will ensure maximum productivity. The approach developed can serve as a valuable tool for supporting the expansion of solar energy and strengthening Ukraine's power system.



### **New IEA report outlines key steps to build more resilient and**

3 ???· It finds that a more decentralised system - with growing capacities of rooftop solar, wind, batteries and small modular gas turbines - could mitigate the impacts of the ongoing ...

### **How Ukraine is evolving its energy system by building grid**

...

For Zuiev, the digital twin - which the company hopes to expand regionally next year - is but one component of their plans to bolster the energy system with digitalisation. Another, is installation of smart meters. "We have completed the digital twin of Kyiv region already... it's a really good start for future development.



### **REopt Helps Ukraine Model Fortified Energy Systems With**

...

After this solar photovoltaic (PV) system in Meref, Ukraine, was damaged by a Russian air strike, NREL researchers used the REopt model

to envision the PV system as a microgrid, which could provide reliable power during future outages.



## Ukraine Fights To Build More Resilient, Renewable Energy System ...

NREL is working with USAID, the Ministry of Energy of Ukraine, and the Ministry for Communities, Territories, and Infrastructure Development of Ukraine to design a microgrid pilot project that will demonstrate how a solar photovoltaic (PV)-plus-storage system could enhance resilience under the present conditions in Ukraine.



## 7 Top Solar Energy System Monitor Apps

SolarEdge has produced a functional but limited monitoring app, mySolarEdge, that has a 4.3 out of 5 scores on Google Play and over a million downloads.. So, what does SolarEdge say about it? 'The SolarEdge monitoring application enables PV installers and system owners to perform remote monitoring on the go using their mobile Android device, thus ...



## Assessing Ukraine's Solar Power Potential: A Comprehensive ...

The results show that more than half (54.5%) of Ukraine's territory has a high suitability score (exceeding 0.65) for solar power stations, particularly in the southern and eastern regions,

...



## New IEA report outlines key steps to build more resilient and

3 ???· It finds that a more decentralised system - with growing capacities of rooftop solar, wind, batteries and small modular gas turbines - could mitigate the impacts of the ongoing attacks and align Ukraine's energy system with the government's long-term goals for energy security and decarbonisation.

## Contact Us

---

For catalog requests, pricing, or partnerships, please visit:  
<https://ssab-proiect.eu>