

European Solar and Energy Storage Solutions

What are photovoltaic brackets used for



Overview

Photovoltaic mounting systems (also called solar module racking) are used to fix solar panels on surfaces like roofs, building facades, or the ground. These mounting systems generally enable retrofitting of solar panels on roofs or as part of the structure of the building (called BIPV). As the relative costs of solar.

A solar cell performs the best (most energy per unit time) when its surface is perpendicular to the sun's rays, which change continuously over the course of the day and season (see:). It is a common practice to tilt a.

RoofThe solar array of a can be mounted on , generally with a few inches gap and parallel to the surface of the roof. If the rooftop is horizontal, the array is mounted with each panel aligned at an angle. If the panels.

Bifacial PV modules can be installed vertically and operated as a fence. For example, bifacial PV worked as an outer fence of the global loop in the Aichi, Japan. PV systems can also be used for snow fences. Monofacial PV can be metal .

• • • • • .

Solar panels can also be mounted as shade structures where the solar panels can provide shade instead of patio covers. The cost of such shading systems are generally different from standard patio covers, especially in cases where the entire shade required is.

PV can also be mounted on or be part of sound barriers/ . PV on noise barriers and has been around for since 1989 in . There has been considerable not only on the PV module technology, but also in the construction of photovoltaic noise.

They are used to secure solar panels onto rooftops, ground mounts, or other structures. The brackets are designed to withstand harsh weather conditions and provide a secure foundation for the panels.

They are used to secure solar panels onto rooftops, ground mounts, or other structures. The brackets are designed to withstand harsh weather conditions

and provide a secure foundation for the panels.

Photovoltaic mounting systems (also called solar module racking) are used to fix solar panels on surfaces like roofs, building facades, or the ground. [1].

A PV panel bracket is a mounting system used to secure and support photovoltaic (PV) panels in place.

These structures are the frameworks that hold the solar panels in place within a solar system. They ensure the panel positioning, stability, and power generation efficiency.

Solar panel mounts are used to secure your solar panel array to a surface and can also be used to optimize your panel's energy production through its angle and direction.

What are photovoltaic brackets used for

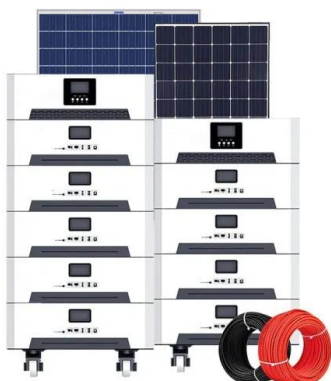


Solar Mounting Brackets & Systems

Metal rooftop mounting consists of two basic parts: the roof mounting hardware and the actual solar panel attachment interface. optimizers, other MLPEs and monitoring equipment, you can use S-5! clamps, brackets and GRIPPERFIX® ...

Venon Intelligent Energy Co., Ltd. _Omnidirectional photovoltaic

The omnidirectional photovoltaic tracking bracket system is a complete set of patented solar power generation products developed and designed by Weineng Smart Energy for the ...



Photovoltaic Bracket _Nanjing Chinylion Metal Products Co., Ltd.

Photovoltaic Bracket -Nanjing Chinylion Metal Products Co., Ltd.-Photovoltaic bracket is mainly applicable to distributed power stations, rooftop power stations, household, commercial and ...

Solar Panel Mounting Structures

Deciding to install a solar system is only the first

step. Solar panel installation constitutes a substantial project with significant financial implications, entailing numerous subsequent decisions.. This article explores ...



Large-Scale Ground Photovoltaic Bracket Selection

...

N-style brackets are widely used in commercial and industrial-scale photovoltaic power stations, particularly in locations with ample open space, such as fields, idle land, or large rooftops. The effective design of N-style bracket systems ...

ECO-WORTHY Upgraded 45in Solar Panel Mount ...

ECO-WORTHY Upgraded 45in Solar Panel Mount Brackets, with Foldable Tilt Legs, Suitable for 2-4pcs 180 200 300 400 Watt Solar Panels Adjustable Mounting Brackets Kits for RV, Roof, Boat, and Off-Grid . Visit the ECO ...



Exploring the Versatility of Photovoltaic Solar Brackets: A

From photovoltaic tracking brackets to water surface floating brackets, there's a wide array of options to consider. In this comprehensive guide, we'll explore the various types of ...



Large-Scale Ground Photovoltaic Bracket Selection Guide

N-style brackets are widely used in commercial and industrial-scale photovoltaic power stations, particularly in locations with ample open space, such as fields, idle land, or large rooftops. The ...



Solar Panel Brackets: The Ultimate Guide, types and ...

Solar panel brackets are an essential component of any solar panel system. They are used to secure solar panels onto rooftops, ground mounts, or other structures. The brackets are designed to withstand harsh ...

PV Bracket: The Sturdy Foundation of Solar Energy ...

In the quest for renewable energy solutions on a global scale today, PV brackets, as the core components of solar power generation systems, play an indispensable role. They not only provide stable support for solar panels but ...





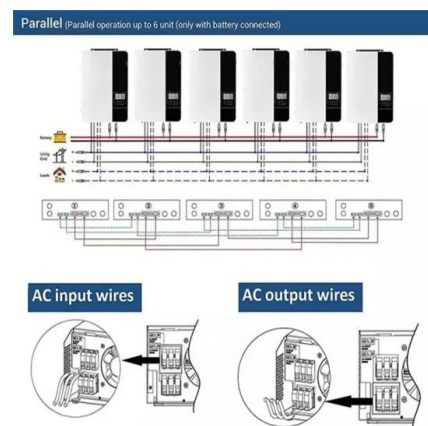
PV Bracket, Solar Clamp, Aluminium Frame, China Manufacturer

Jiangsu GoodSun New Energy Co., Ltd. is a comprehensive manufacturer of photovoltaic bracket and solar module frames, integrating technical consulting, design, processing, manufacturing, ...



Solar Panel Mounting Brackets System

Use technology to capture every ray of sunshine! As the world's leading manufacturer and solution provider of photovoltaic brackets and BIPV systems, Shilden has been deeply involved in a segment in the middle reaches of the ...



Solar Panel Mounting Structures

Mounting brackets are essential for maintaining solar panel stability, alignment, and secure attachment. When selecting mounting brackets, consider the compatibility with the mount and panels. Choosing the correct ...

Contact Us

For catalog requests, pricing, or partnerships, please visit:
<https://ssab-proiect.eu>