

European Solar and Energy Storage Solutions

What is the diameter of the photovoltaic panel



Overview

Each panel contains a few dozen solar cells that measure roughly 6 inches by 6 inches. Most residential solar panels contain about 60 cells in a 6-by-10 grid configuration.

Each panel contains a few dozen solar cells that measure roughly 6 inches by 6 inches. Most residential solar panels contain about 60 cells in a 6-by-10 grid configuration.

The goal here is to get to the average solar panel size by wattage. You can find typical dimensions of 100W, 150W, 170W, 200W, 200W, 220W, 300W, 350W, 400W, and 500W solar panels summarized in the chart below. But, just to emphasize the problem, let's have a look at how the standard solar panel sizes are usually explained.

For example, a 6.6 kW solar system typically consists of 20 panels each delivering 330W of power. Solar Panel Wattage. Divide the average daily wattage usage by the average sunlight hours to measure solar panel wattage. Moreover, panel output efficiency directly impacts watts and the system's overall capacity.

Standard residential solar panels contain 60 solar cells (or 120 half-cut solar cells) and typically generate anywhere from 350W to 500W of electricity. The size of these panels can range from 1.6m tall x 1.0m wide, to 1.7m tall x 1.0m wide.

How big is a solar panel?

There are three main sizes of solar panels to know: 60-cell, 72-cell, and 96-cell. For commercial and residential solar panels, the 60-cell and 72-cell solar panels size are most commonly used as the 96-cell measures 17.5 square feet - which can make for a challenging fit on your roof. What are the different sizes of solar panels?

There are 3 standardized sizes of solar panels, namely: 60-cell solar panels size. The dimensions of 60-cell solar panels are as follows: 66 inches long, and

39 inches wide. That's basically a 66×39 solar panel. But what is the wattage?

That is unfortunately not listed at all. 72-cell solar panel size.

What are solar panel dimensions in cm?

The solar panel dimensions in cm are determined by the output of the manufacturer. The size of a solar panel is often not affected by the output. As discussed, there are two sizes of solar panels, Hence the solar panel dimensions in centimeters would be around, Standard Solar Panel Dimensions in Feet.

What are the characteristics of a solar panel?

Solar Panel Structure: The solar panel dimension, composition, and photovoltaic (PV) technology. **Average Solar Panel Size:** Available roof space, solar panels size, and the load your roof can support. **Solar Irradiance:** Earth has many places with different sunlight hours and sums of solar energy.

How big is A 72-cell solar panel?

The average 72-cell solar panel size measures 3.25 feet by 6.42 feet and is laid out as a 6 x 12 grid, making them almost a foot taller than the 60-cell standard size panels. Given their large physical size, 72-cell solar panels may be awkward to carry, which is why two people are often required for installation.

How big are residential solar panels?

Most residential solar panels are 1.7m tall x 1.0m wide (or 1.7 m²), with a maximum power output of around 330W. Solar panels also come with 72 solar cells, which are larger to accommodate the additional cells. They are around 30% larger than residential solar panels, measuring approximately 2.1m tall x 1.1m wide (or 2.3 m²).

What is a solar panel size calculator?

Their solar panel size calculator tool makes it easier to determine the best PV system for your home by collecting household data and system preferences. Solar Calculator provides useful data by estimating storage requirements and surplus energy availability.

What is the diameter of the photovoltaic panel

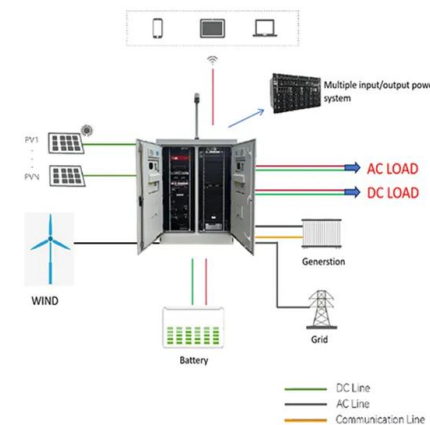


Solar Panel Sizes and Wattage: A Comprehensive ...

Solar panels come in various sizes depending on their wattage or power output. A common residential solar panel size is approximately 65 inches by 39 inches, and typically has a power output of around 300 watts. ...

How big are solar panels? Solar panel size and weight

The size and weight of solar panels vary depending on the make and model, with most residential panels measuring about 5.5 feet by 3 feet and weighing between 40 and 50 pounds. The total system size is also influenced ...



Sample Order
UL/KC/CB/UN38.3/UL



Solar Panels Size & Weight (Including Commercial ...

Using the average solar panel size of 6 feet by 3.25 feet, and assuming you leave minimal space between the panels, your rooftop solar system would measure roughly 4,875 square feet. Now, let's consider the weight of ...

Solar Panel Dimensions & Weight in Australia: The ...

The variation in output will usually not change

the size of a single solar panel. The standard size of a 250W solar panel is approximately 1.7m x 1.0m, with slight variations depending on the manufacturer. The ...



What's the Average Solar Panel Size and Weight?

Installing solar panels can slash your electric bills and boost your home value, but how much value you get depends on the size and number of panels you install. Most residential solar panels have 60 cells and measure ...

Solar Panel Size And Weight: A Comprehensive Guide

Most solar panels are a little over 5 feet by 3 feet and weigh 40-45 pounds, but size varies by manufacturer. In this guide, we'll unpack solar panel size in greater detail, helping you determine how large of a system your ...



Solar Panel Size and Weight Explained: How Big Are Solar Panels?

What is a standard solar panel size? The standard size for a solar panel is about 65 inches by 39 inches. An easier estimation of size is 5 feet by 3 feet. Solar panels differ in ...

Solar Panel Size & Weight Guide [+ Charts] - Solartap

Solar panel dimensions depend on how many cells are in each panel, as cell size is pretty uniform across all brands of residential solar panels. Each cell is usually 156 millimeters by 156 millimeters, or 6 inches long and 6 ...

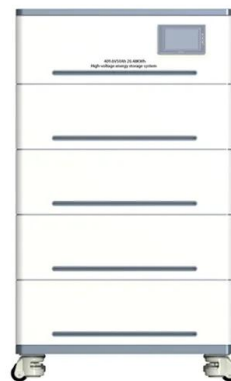


A Guide to Solar Panel Dimensions

The thickness of a solar panel is typically 40 mm, and this is true for both 60-cell and 72-cell panels. What are the Solar Panel Dimensions in mm? What are the Solar Panel Dimensions in cm? What is the Solar Panel Size in ...

Calculating Solar PV String Size - A Step-By-Step Guide

For example, if you have a solar panel that has a Voc (at STC) of 40V, and a Temperature Coefficient of 0.27%/°C. Then for every degree celsius drop in panel cell temperature, the ...



Top 7 Best 400-Watt Solar Panels in 2024 (Cost, Specs ...

400 W is the most popular solar panel size today, with a ton of options to choose from. In this article, we list the best 400 W panels on the market. 568k 233k 41k Subscribe . Climate; Energy; Conservation; Unlike ...



What Are Monocrystalline Solar Panels? , Price, Size, Weight, Vs ...

Every solar panel be it mono or poly is made by connecting solar cells in series and parallel arrangement, the standard size of a solar cell is 156 mm X 156 mm (approx. 6 inch X 6 inch). ...



Solar Panel Sizes, Dimensions & Weight

Standard residential solar panels contain 60 solar cells (or 120 half-cut solar cells) and typically generate anywhere from 350W to 500W of electricity. The size of these panels can range from 1.6m tall x 1.0m wide, to ...

How to Calculate the Surface Area Required by Solar ...

With the bright light conditions and the efficiency as measured, calculate the size of solar panel required to power: A radio of average power demand approximately 0.1 Watt. For the bright light the power was 59.09 ...

